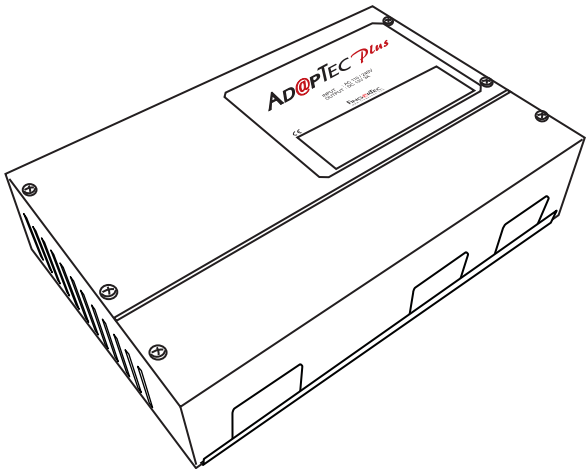


FINGERTEC

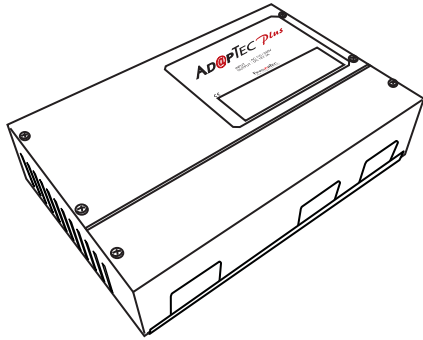


AD@PTEC Plus

Installer Guide

AD@PTEC *Plus*

Adaptability to Enhanced Security



AdapTec Plus combines power supply and door access controller features in a compact metal casing for an encrypted and secure I/O function, enhancing door access control functionalities and easing installation processes. The AdapTec Plus is an exceptional FingerTec accessory in a small package!

UNDERSTANDING ADAPTEC PLUS FUNCTIONS

Enhanced Security with Encrypted Signals

It supports FingerTec encrypted 26-bit Wiegand communication output; providing enhanced security level for extra protection.

Power Up Terminals & Door Lock Systems

A single AdapTec Plus can provide power simultaneously to a maximum 2 units of FingerTec terminals and 2 sets of door lock accessories such as EM Lock and drop bolt in one single system installation.

Prolonged Life Span of Hardware

With data encryption, the life span of the terminals could be prolonged without the risk of short circuiting when using AdapTec Plus.

Control IN/OUT Terminals At An Entrance

AdapTec Plus is a perfect choice for an IN/OUT installation, where a door is controlled both, at the entrance and the exit.

Support Rechargeable Backup Battery

Connects well to any 12V rechargeable backup battery, providing power to ensure protection of access during any events of power failure.

Emergency Alerts with Siren

Compatible with an NC siren type with a maximum of 0.5A load for emergency event e.g if the terminal is being illegally dismantled.

Seamless Integration with FingerTec Terminals

Mix and match the FingerTec terminals via AdapTec Plus for a cost effective access control system suitable for small and medium sized offices.

Choose a DIY Metal Casing for Cleaner Installation

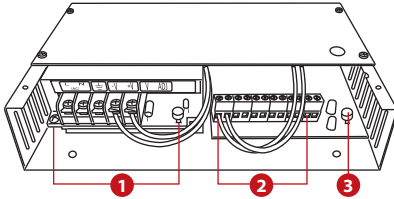
Store an AdapTec Plus and a backup battery in an exclusive FingerTec DIY metal casing, providing a cleaner installation.

SPECIFICATIONS

MODEL	AdapTec Plus
PRODUCT DIMENSION (L X W X H), mm	198 x 45 X 131
WEIGHT	1.1 kg
CPU	8 MHz 16-bit microprocessor
POWER INPUT	AC 110 ~ 240V (universal input)
POWER OUTPUT	DC12V 3A - Supports up to: <ul style="list-style-type: none">• 2 x FingerTec access control terminals• 2 x electrical energized locks
BACKUP POWER SYSTEM	UPS or DC 12V rechargeable backup battery
INPUT SIGNAL	FingerTec encrypted Wiegand signal
OUTPUT SIGNAL	2 x FORM C Relay <ul style="list-style-type: none">• 1 x 0.5A siren (max)• 1 x DC12V 3A EM output (max)
DOOR LOCK	<ul style="list-style-type: none">• Electromagnetic locks• Door strike• Drop bolt/Dead bolt
OPERATING TEMPERATURE	0°C to 55°C
HUMIDITY	10% to 90% RH (non-condensing)

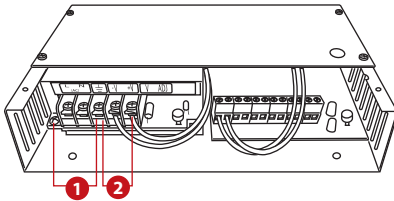
UNDERSTANDING THE DESIGN

AdapTec Plus consists of 2 main modules and a timer:



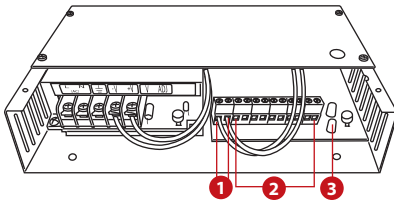
- 1 Power supply/power input module
- 2 Access control/power output module
- 3 Door lock timer

➤ Power supply/power input module



- 1 This portion is to be connected to power source with AC110~240V. AC current will be supplied into this side and a DC 12V 3A current will be generated as output.
- 2 These two cables, -V and +V are default and are connected to the inner part of AdapTec. Please do not remove or change these cables.

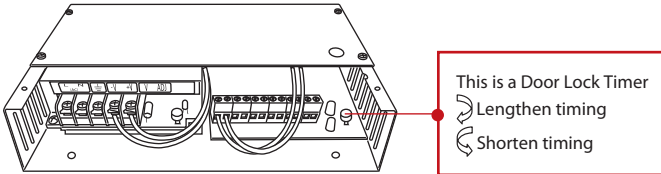
➤ Access control/power output module



- 1 These cables connect to a DC12V rechargeable backup battery. During a power failure, the battery will power up the AdapTec Plus.

- 2 These are the power outputs from AdapTec. Refer to the wiring diagrams in page 3, for details.
- 3 **Power LED** – a lit LED indicates power supply/power input module is working.
EM lock LED– a lit LED indicates that the AdapTec Plus is working to power up door lock system.
Contact your local reseller or support@fingertec.com in case either LED is not lit up.

➤ Door lock timer



Users can adjust the timing for the EM Lock and Drop Bolt to close after opening using the door lock timer. Turn the timer using a screwdriver; turning clockwise will lengthen the time, turning anti-clockwise will shorten the time.

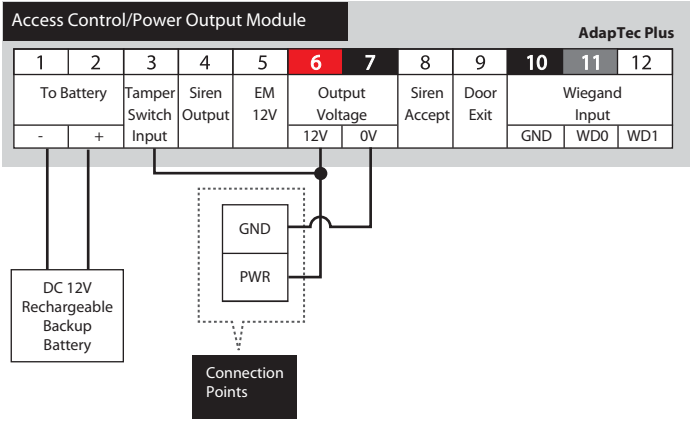
Note: AdapTec Plus can be connected to other devices which have the same power consumption. Please consult FingerTec's advice through info@fingertec.com before using AdapTec with other FingerTec models.

WIRING DIAGRAMS

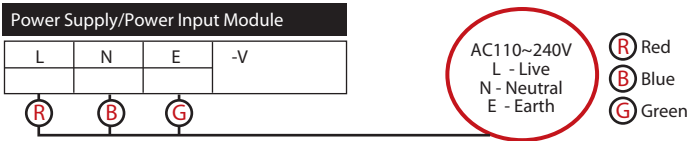
AC900

FUNCTION • Time Attendance Only

STEP 1 • Connection Points



STEP 2 • Connect AdapTec Plus to a Power Source



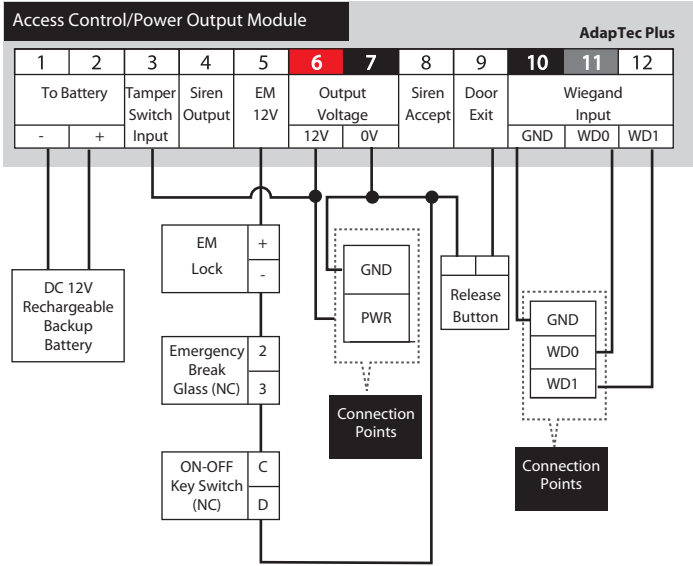
STEP 3 • Turn on the power to use FingerTec AC900 for time attendance only.

WIRING DIAGRAMS

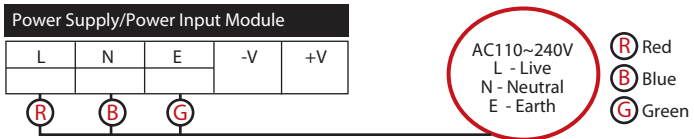
AC900

FUNCTION • Access Control Only or Time Attendance & Door Access

STEP 1 • Connection Points



STEP 2 • Connect AdapTec Plus to a Power Source



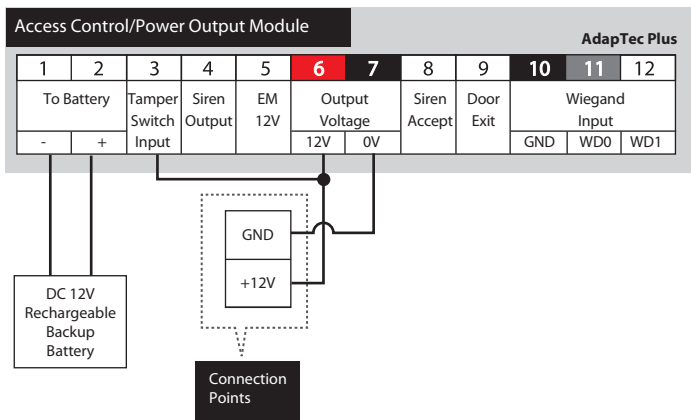
STEP 3 • Turn on the power to use FingerTec AC900 for door access control only or for time attendance and door access control simultaneously

WIRING DIAGRAMS

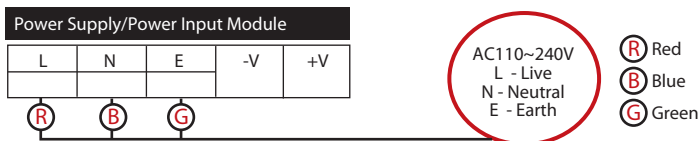
R2, i-Kiosk100, i-Kiosk100 Plus, Q2i, Kadex and m-Kadex

FUNCTION • Time Attendance Only

STEP 1 • Connection Points



STEP 2 • Connect AdapTec Plus to a Power Source



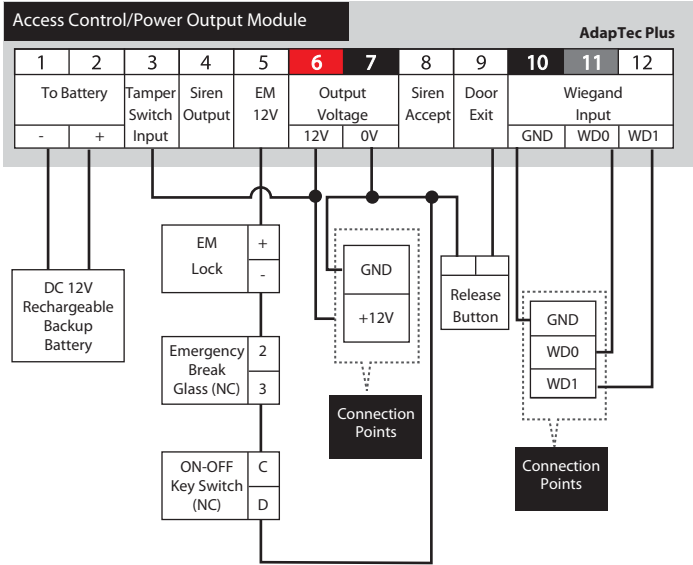
STEP 3 • Now you can turn on the power to use the system for time attendance only.

WIRING DIAGRAMS

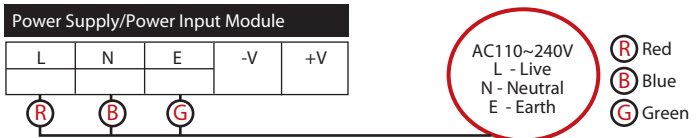
R2, i-Kiosk100, i-Kiosk100 Plus, Q2i, Kadex and m-Kadex

FUNCTION • Access Control Only or Time Attendance & Door Access

STEP 1 • Connection Points



STEP 2 • Connect AdapTec Plus to a Power Source



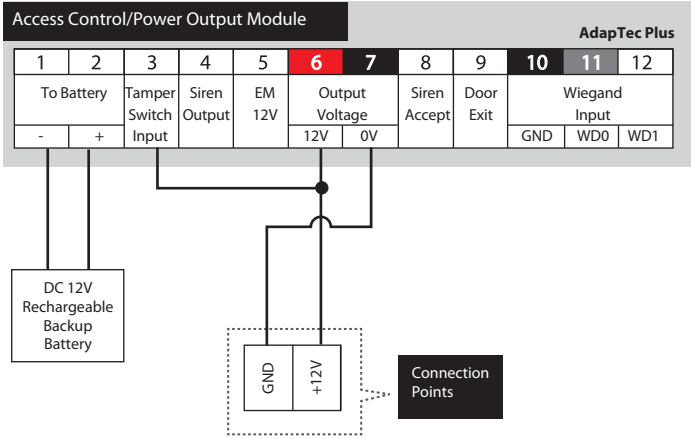
STEP 3 • Turn on the power to use the model for door access control only or for time attendance and door access control simultaneously.

WIRING DIAGRAMS

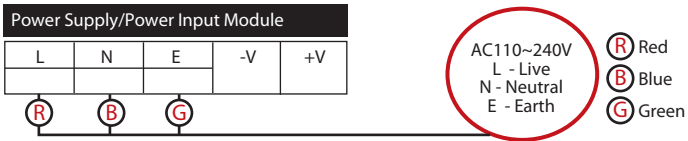
Face ID 2

FUNCTION • Time Attendance Only

STEP 1 • Connection points



STEP 2 • Connect AdapTec Plus to a power source



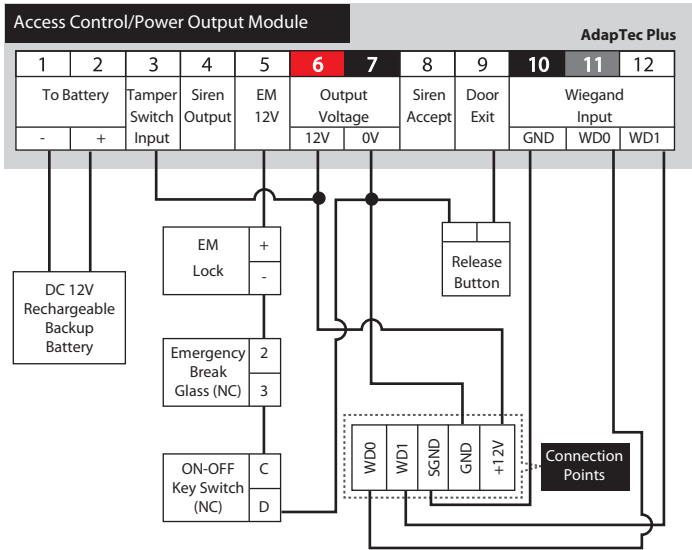
STEP 3 • Turn on the power to use FingerTec Face ID 2 for time attendance.

WIRING DIAGRAMS

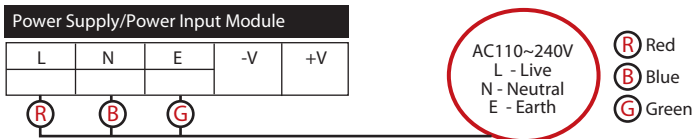
Face ID 2

FUNCTION • Access Control Only or Time Attendance & Door Access

STEP 1 • Connection points



STEP 2 • Connect AdapTec Plus to a power source



STEP 3 • Turn on the power to use FingerTec Face ID 2 for door access control only or for time attendance and door access control simultaneously.

CONNECTING ADAPTEC PLUS TO AN ALARM SIREN



For all FingerTec door access control models, there is a security button behind the terminal. During normal operation, the security button is compressed and once the terminal is dismantled, the button will be released and “System broken” message will appear onscreen.

During the release of the button, the terminal will output an alarm signal. Nonetheless, no alarm sound will be emitted if the terminal is not equipped with a preinstalled siren.

To use the siren feature, we recommend you to install an additional alarm siren and connect it to the FingerTec terminals.

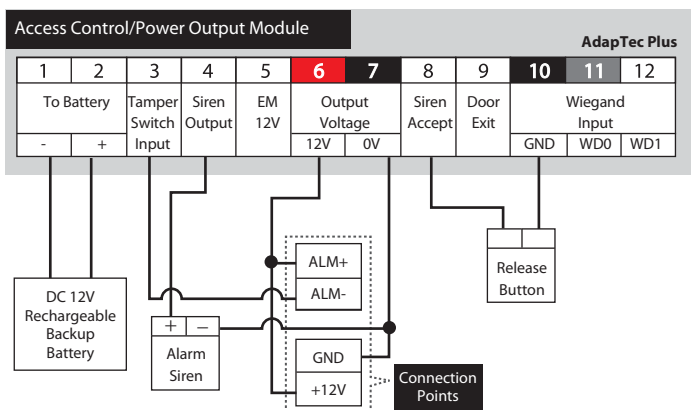
Benefits of using AdapTec plus with Alarm Siren

We recommend you to install a terminal along with an AdapTec Plus if you plan to use the alarm siren. In the AdapTec Plus, an additional port is readily built to receive the alarm signal from the FingerTec terminals. the AdapTec Plus has an output of DC12V and it is suitable to use with an alarm siren that has the same power input. You do not need to source and additional DC12V power supply for this purpose. Furthermore, the AdapTec Plus provides a “Siren Accept” button where you can press the button to deactivate alarm siren when required.

FUNCTION • R2, Kadex and m-Kadex

Connect the terminal, alarm siren and AdapTec Plus as illustrated below.

STEP 1 • Wiring Diagram



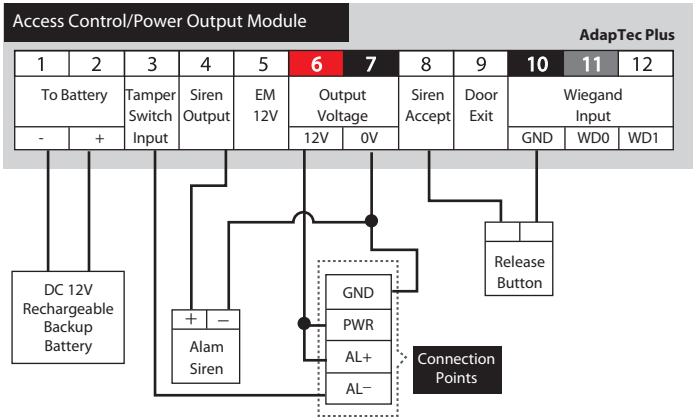
Remark:

Set Auto Alarm in terminal to N.

Menu > Options > Sys Opt > Adv Opt > Auto Alarm > N.

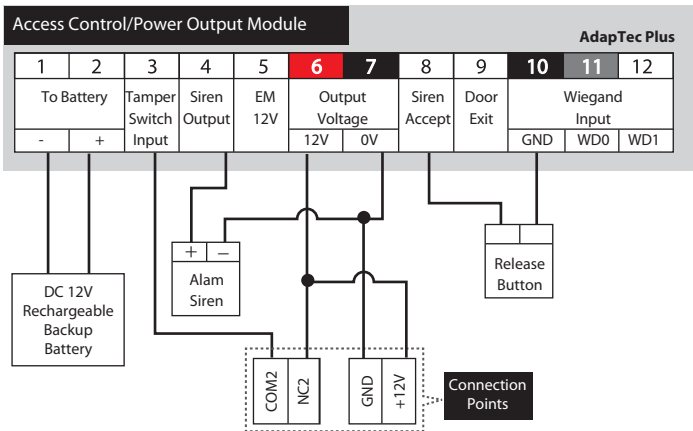
FUNCTION • AC900

For AC900, you will need to connect AC900, alarm siren and AdapTec Plus as below.



FUNCTION • Face ID 2, i-Kiosk 100, Q2i, i-Kiosk 100 Plus

For Face ID 2, you will need to connect to alarm siren and AdapTec Plus as below.

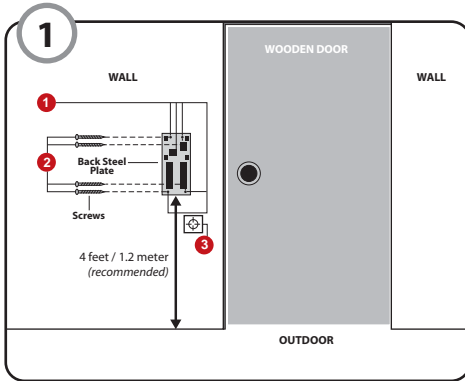


Reminder to deactivate alarm siren:

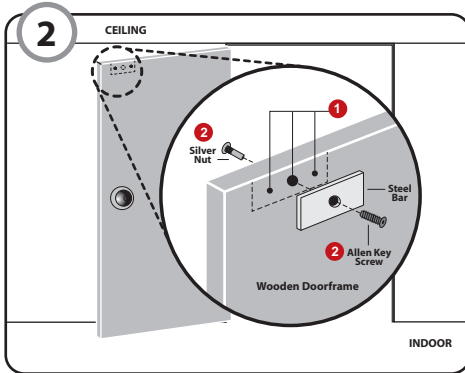
1. You can deactivate the alarm siren by pressing the push button that is connected to Siren Accept in the AdapTec Plus. This action will turn off the alarm siren function in AdapTec plus. However, you must restart the AdapTec Plus to turn on the alarm siren function again. The alarm siren will not take effect in the future if you do not restart the AdapTec Plus.
2. You can do it from the terminal via Menu > Turn Off Alarm to turn off the alarm siren. You do not need to restart the AdapTec Plus. The alarm siren will return to standby mode after you perform the steps at the reader. (Recommended)

UNDERSTANDING ADAPTEC INSTALLATION FOR • *Wooden Door*

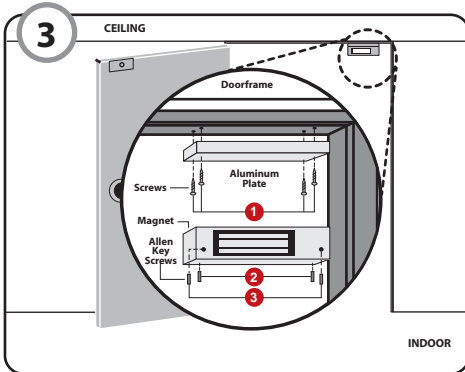
The diagrams below only highlight the use of an EM lock during installation. You may opt to use a dropbolt/deadbolt/door strike instead. Please consult a qualified technician/installer before proceeding with the installation.



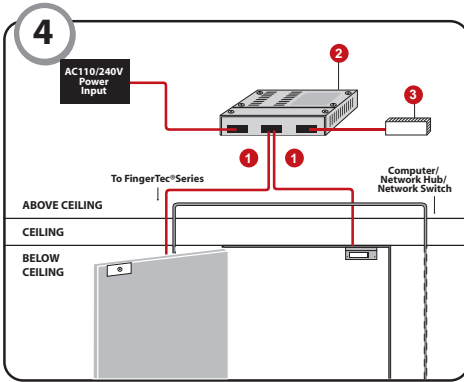
- 1 To install FingerTec AC900/R2 on a wall, drill 5 holes as shown. 4 small holes are for the screws and the bigger hole is for the network cable.
- 2 Tighten the 4 screws to fix the Back Plate on the wall.
- 3 Install the keyswitch as per instructions given in the box. The keyswitch is an override key in case of a system failure or breakdown.



- 1 Drill 3 holes on the wooden door.
- 2 Place the Steel Bar on the door. Insert the Silver Nut on one side and the Allen Key Screw on the other side. Tighten the screw to lock the Steel Bar onto its position.



- 1 Drill 4 holes on the wooden frame. Tighten the 4 screws to fix the Aluminum Plate properly on the doorframe.
- 2 Use the Allen Key to tighten the 2 screws at the bottom of the Magnet. The Magnet will stick to the Aluminum Plate when the screws are tightened.
- 3 Use the Allen Key to tighten the other 2 screws on the sides of the Magnet.



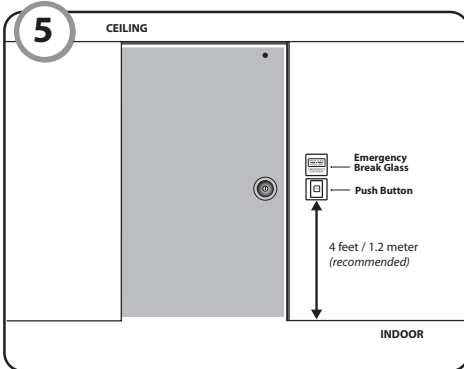
1 12V 3A DC Power Output

2 AdapTec Plus

Note: Refer to AdapTec user guide for wiring diagrams.

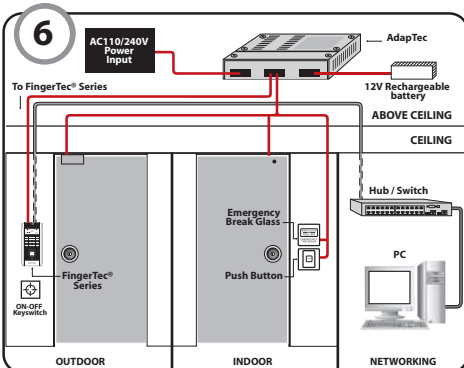
3 12V Rechargeable Battery

*Note: It is recommended to place **1**, **2** and **3** out of sight, either above a ceiling or wall-mounted.*



Emergency Break Glass and Push Button should be installed indoors. These two items are for the user to open the door from inside.

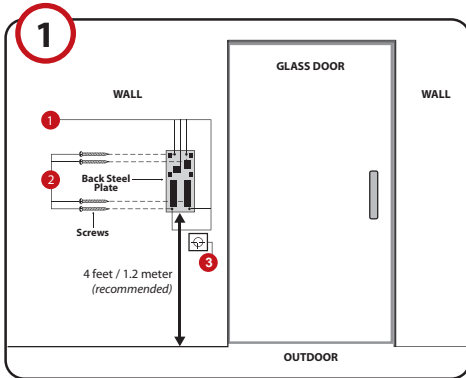
Note: Please conceal the wiring for a cleaner installation.



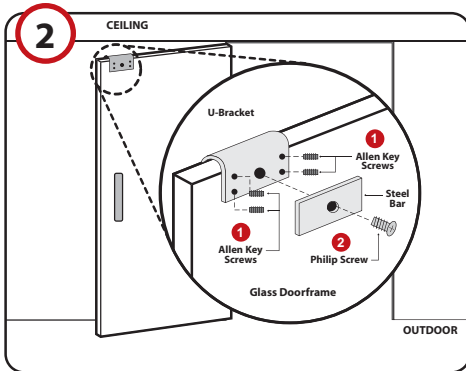
OVERVIEW OF THE WHOLE SYSTEM INSTALLATION

UNDERSTANDING ADAPTEC INSTALLATION FOR • *Glass Door*

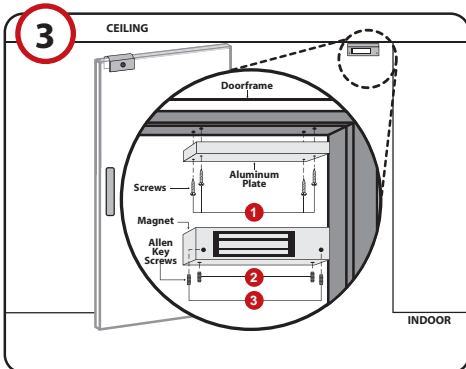
The diagrams below only highlight the use of an EM lock during installation. You may opt to use a dropbolt/deadbolt/door strike instead. Please consult a qualified technician/installer before proceeding with the installation.



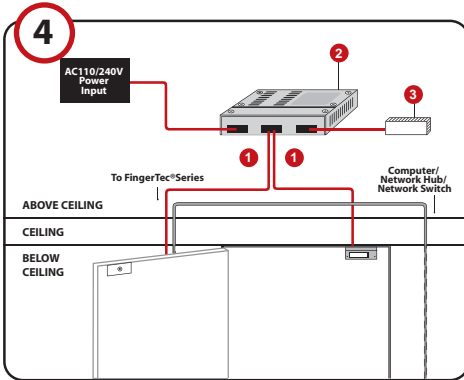
- 1 To install a FingerTec model on the wall, drill 5 holes as shown. 4 small holes are for the screws and the bigger hole is for the network cable.
- 2 Tighten the 4 screws to fix the **Back Plate** on the wall.
- 3 Install the keyswitch as per instructions given in the box. The keyswitch is an override key in case of a system failure or breakdown.



- 1 Lodge the **U-Bracket** into the upper edge of the glass doorframe. Tighten the 4 **Allen Screws** to hold the **U-Bracket** into position.
- 2 Place the **Steel Bar** on the side of the **U-Bracket**. Tighten the **Philip Screw** to lock the **Steel Bar** onto position.



- 1 Drill 4 holes on the doorframe. Tighten the 4 screws to fix the **Aluminum Plate** properly on the doorframe.
- 2 Use the Allen Key to tighten the 2 screws at the bottom of the **Magnet**. The **Magnet** will stick to the **Aluminum Plate** when the screws are tightened.
- 3 Use the Allen Key to tighten the other 2 screws on the sides of the **Magnet**.



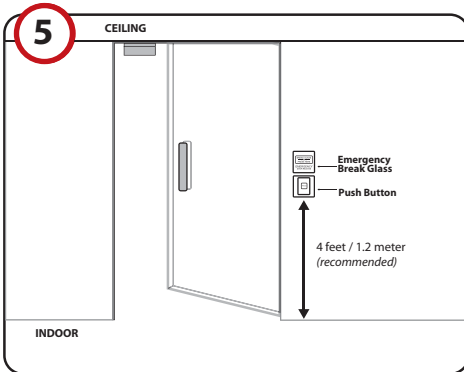
1 12V 3A DC Power Output

2 AdapTec Plus

Note: Refer to AdapTec user guide for wiring diagrams.

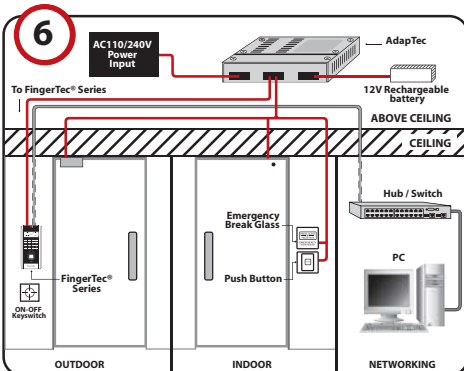
3 12V Rechargeable Battery

*Note: It is recommended to place **1**, **2** and **3** out of sight, either above a ceiling or wall-mounted.*



Emergency Break Glass and Push Button should be installed indoors. These two items are for the user to open the door from inside.

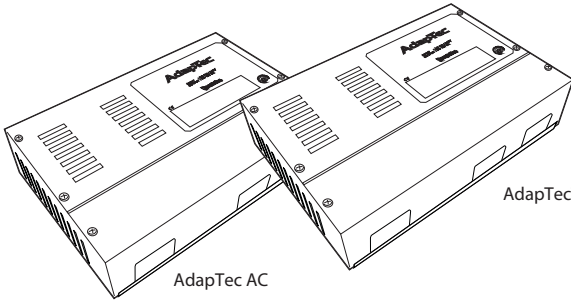
Note: Please conceal the wiring for a cleaner installation.



OVERVIEW OF THE WHOLE SYSTEM INSTALLATION

FINGERTEC EXCLUSIVE ACCESSORIES

For more accessories go to accessory.fingertec.com.



AdapTec AC

AdapTecTA



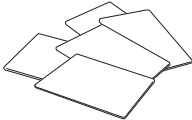
RFID Key Chain



Emergency Break Glass



Description



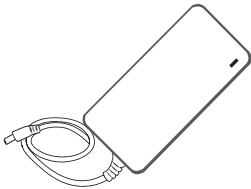
HID Card / MiFare Card /
RFID Card



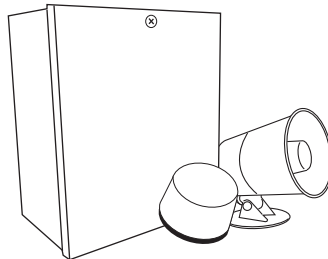
Release Button



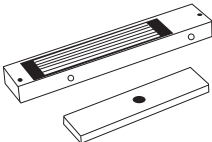
Contactless
Release Button



5V/ 12V Mini UPS



Alarm Siren With
Strobe Light



EM 600 / EM 1200

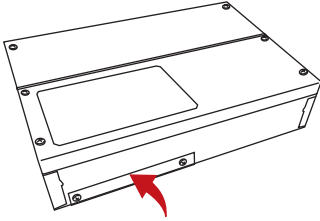
OTHER RESOURCES

Information About FingerTec

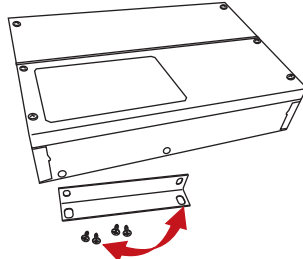
TO LEARN ABOUT	GO TO?
Company and the products	www.fingertec.com
The latest updates	Facebook Fan Page: FingerTec Worldwide Twitter: FingerTec Worldwide To subscribe for FingerTec Newsletter: www.fingertec.com/subscribe-R/newsletter.html
Technical Tips and Latest Product Updates and Upgrades	user.fingertec.com
Email	info@fingertec.com (Sales) support@fingertec.com (Technical)
Register for Warranty	www.fingertec.com/GPW/warranty.htm
FingerTec Accessory	accessory.fingertec.com

MOUNTING AN ADAPTEC PLUS ONTO A WALL

1 Remove the L-shape piece from the AdapTec plus

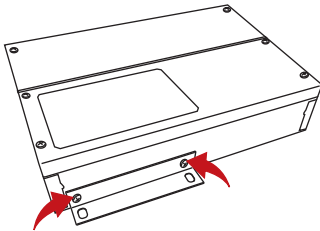


Find an L-shape piece at the top right of an AdapTec Plus. This piece is attached to the AdapTec Plus with 2 screws.



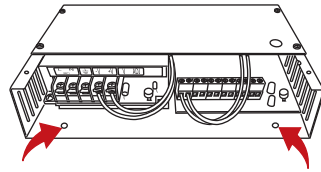
After removing the piece, you will have one L-shape piece and 2 screws.

2 Install the piece to the AdapTec Plus



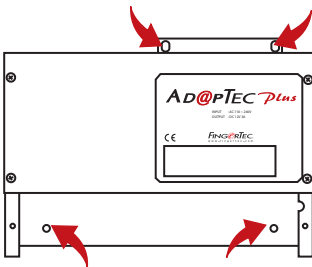
Attach the L-shape to the AdapTec Plus as shown and tighten the screws.

3 The other 2 holes at the bottom



Open the cap, look for the part shown in the diagram and you will see 2 holes.

4 Mount the AdapTec Plus on a wall



Identify a location to mount the AdapTec Plus on a wall.

Fix the AdapTec Plus onto the wall by tightening the screws into the 4 holes.