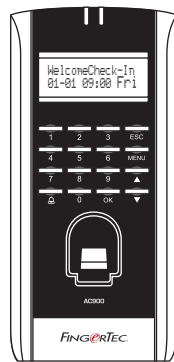
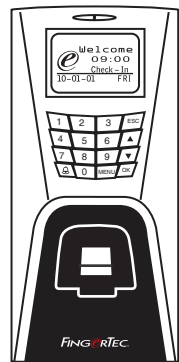


FINGERTEC



AC900



R2/M2

Access Control & Time Attendance System

User Guide

CONTENTS

3-4 CHAPTER 1 • GETTING STARTED

- Viewing the User Guide in the Internet Terminal Included Accessories
- Included Printed Materials
- Activating Terminal
- Registering Terminal

5-8 CHAPTER 2 • BASICS

- Introduction to Products
- Overview
- Power On/Off Button
- Keypad
- Battery
- Date/Time
- Voice Control
- Security Features
- Cleaning Terminal
- Restarting and Resetting Terminal

9-15 CHAPTER 3 • CONNECTION – SYNCING TERMINALS

- Installations
- Communications
- Ingress Online Activation
- Installation and Setup of Ingress
- Connecting Terminals to Ingress
- Using USB to Download/Upload Data
- Communication Key

16-19 CHAPTER 4 • USER

- Enrolling User
- Verifying User
- Types of Verification Method
- Adding User Information
- Deleting User
- Access Level/Privilege

20-23 CHAPTER 5 • SYSTEM

- General Settings
- Fingerprint Settings
- Update Firmware
- System Information
- Log Information (Log Opt)

24 CHAPTER 6 • DATA

- Deleting Transaction Logs
- Deleting All Data
- Managing User Privilege
- Resetting to Factory Settings

25 CHAPTER 7 • USB

- Understanding the Need for USB Flash Disk
- Type of USB

- Downloading Attendance Logs
- Downloading User Data
- Uploading User Data from USB to Terminal
- Uploading Short Messages

26-29 CHAPTER 8 • ACCESS

- Using The Terminal as Door Access
- Access Options
- User Account Options
- Access Combination
- Lock
- Door Sensor Delay
- Door Sensor Mode
- Door Sensor Alarm
- Turning Off Alarm
- Duress Options
- Alarm Count
- Group Verification Type

30 CHAPTER 9 • RFID CARD FUNCTION

- Enrollment of RFID Card
- Verification Using RFID Card Only
- Multi Verification Methods Using RFID
- Deleting RFID Card
- Changing Card ID

31-32 CHAPTER 10 • MIFARE CARD FUNCTION

- Fingerprint Card Key (FP Card Key)
- Creating PIN Card
- Enrolling FP Card
- Creating FP Card
- Registering FP Card
- Unregistering FP Card
- Emptying FP Card
- Dumping FP Card
- Moving to FP Card
- Changing FP Card

33 CHAPTER 11 • HID CARD FUNCTION

- Registering HID Card
- Deleting HID Card

34 CHAPTER 12 • AUTO TEST

- Who Should Do The Auto Test?
- Run All Tests At Once
- FLASH Test
- LCD Test
- Voice Test
- FP Reader
- Key Test
- RTC Test

35-36 TROUBLESHOOTING

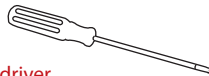
1 • GETTING STARTED

Viewing the User Guide in the Internet

The User Guide is available in the package when you purchased the terminal. The User Guide is also available online at fingertec.com and user.fingertec.com. Choose the language that you prefer for your User Guide.

Terminal Included Accessories

AC900 MODEL



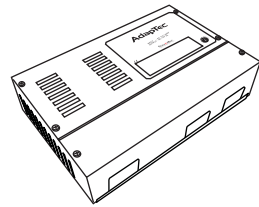
Screwdriver

Use the screwdriver to open the back plate of fingerprint terminal and to install the back plate against a wall.



A Packet of Bolts

Attach the back plate of the terminal against a wall using the screws provided.



AdapTec AC

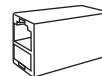
Supplying power and door access controller to the terminal.

R2 or M2 MODEL



USB Extension

For USB Flash disk connectivity in fingerprint terminal for downloading and uploading of data.



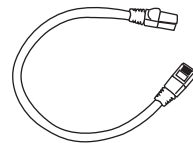
TCP/IP Connector

Connecting the network cable from a PC or Network switch to a TCP/IP connector at the terminal.



Screwdriver

Use the screwdriver to open the back plate of fingerprint terminal and to install the back plate against a wall.



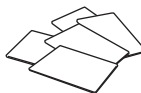
TCP/IP Cable

Connecting fingerprint terminal for Ethernet connection.



A Packet of Bolts

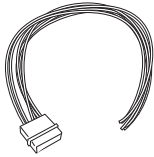
Use the screws to hold the back plate of the terminal against a wall.



RFID Cards (5 pieces) / HID/MIFARE Cards (1 piece)

For card enrollment and verification.

** Exclusively for R2 model only*



Door Accessories Cable

Cables for 12V door lock, push button, 12V alarm, door sensor and 12V door bell, for door access.



RS232/RS485/Wiegand Output Cable

For serial cable connection and Wiegand Output connection.



Power Supply Cable

Connecting fingerprint terminal to the 12V power supply.

Included Printed Materials

- FingerTec Comprehensive DVD
- Quick Start Guide
- Pamphlet
- User Enrollment Template Form
- Warranty Card

Activating Terminal

Every FingerTec access control model comes bundled with a unique license key. To start using the terminal with Ingress, you must connect the terminal to Ingress and perform online activation. Ingress reads the serial number of your terminal and sends it for verification at the FingerTec server via Internet.

In case you do not have an Internet connection, you would need to do offline activation. Please send the serial number and models of your terminals to your local resellers or support@fingertec.com to request for a product key and activation key.

Registering Terminal

Make sure that you register your terminal's warranty with us at fingertec.com/ver2/english/e_warranty.htm.

2 • BASICS

Introduction to Products

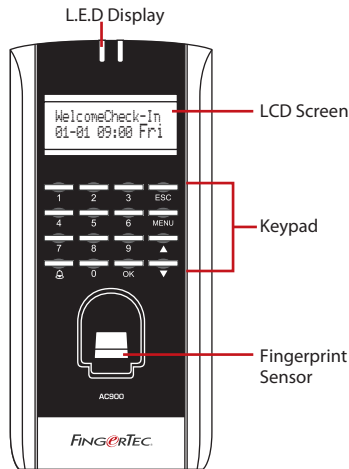
FingerTec is a renowned brand name when it comes to commercial fingerprint products for door access and time attendance systems. FingerTec offers a wide range of products to cater to the growing need of biometric products in office/home automation as well as in security industry.

Fingerprint terminals are loaded with powerful microprocessors that can process biometrics authentication methods for accurate personal identification and for collection of precise data for time attendance and door access. In addition, some fingerprint terminals are designed to accept card verification as an added security measure.

This manual covers three models of fingerTec's fingerprint products, AC900, R2 and M2.

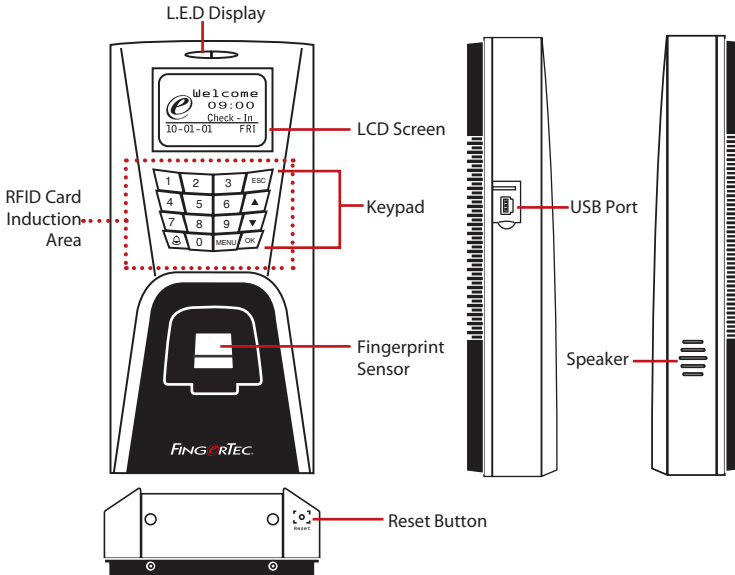
Overview

AC900 MODEL



ITEM	FUNCTION
LCD Screen	Displaying status of terminal, day, date and time.
LED Display	Green LED – The terminal is working fine and it is in standby mode. Red LED – There is an error at the terminal that requires checking. For first time use, the terminals need to be charged fully to avoid having the red light blinking.
Keypad	To input instructions into the terminal and to allow configuration.
Fingerprint Sensor	To scan finger for confirmation of identity.

R2 or M2 MODEL

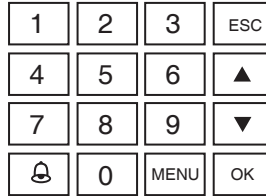


ITEM	FUNCTION
LCD Screen	Displaying status of terminal, day, date and time.
LED Display	Green LED – The terminal is working fine and it is in standby mode. Red LED – There is an error at the terminal that requires checking. For first time use, the terminals need to be charged fully to avoid having the red light blinking.
Keypad	To input instructions into the terminal and to allow configuration.
Fingerprint Sensor	To scan finger for confirmation of identity.
RFID Card Induction Area	Area that reads RFID cards.
USB Port	To upload/download users information, password and transaction logs via USB flash disk.
Speaker	For terminal voice emission.
Reset Button	To restart the terminal as and when required.

Power On/Off Button

MODEL	HOW TO TURN ON/OFF
AC900	Push on the '0' button
R2 or M2	There is no power button available. Restart using the reset button shown on the bottom of the terminal.

Keypad



You can insert inputs into the terminals through the keypad. It contains numbers from 0-9, an OK button, an ESC/Cancel button, a Scroll up/down button, a doorbell button and a Menu button.

Battery

Fingerprint terminals operate using power supply from a standard power outlet.

Mini UPS: Mini UPS 12V can also be used to provide power supply to turn on the terminals. Refer to accessory.fingertec.com for more information about accessories.

Date/Time

The terminals displays the date and time at the home screen. Choose the date and time format based on your preference. Press Menu > Options > Systems Options > Date/Time > set your time and save.

To change the date format: Press Menu > Options > Systems Options > Fmt > Determine the date format based on your preference.

Voice Control

Voice Control lets you control the level of volume emitted by the terminal.

TURN ON/OFF

The system lets you turn on/off the voice based on your preference. Press Menu > Options > System Option > Adv Option > Voice > Y/N.

ADJUST VOLUME

The default volume of the terminal's voice is 67. The volume can go as high as 100 and as low as 0. To sustain the performance of the speaker, it's recommended to stay at range 60-70. To adjust the volume Press Menu > Options > System Option > Adv Option > Adj VOL (%) > adjust accordingly .

Security Features

Security features help protect the information in the terminal from being accessed by unauthorized individuals.

ADMIN AFFIRM

Register an administrator into the system by enrolling fingerprints or a password to a user ID. Press Menu > User Manage > Enroll Admin > Choose enrollment method > Perform enrolment and Save. After enrolling an administrator, the main menu can only be accessed by the administrator.

TAMPER SWITCH

The fingerprint terminals come with a tamper switch located at the rear of the terminals. During installation, the tamper switch is compressed against the back plate. Any attempt to dismantle the terminal will trigger an alarm and a "System Broken" message will be displayed on the panel.

Cleaning Terminal

CLEANING THE BODY

Use a dry cloth to clean the terminal's body. Do not use any liquids, household cleaners, aerosol spray, solvents, alcohol, ammonia and abrasive solutions to clean the body of the terminal because it could damage it.

Restarting and Resetting Terminal

If a feature isn't functioning as it should, try restarting or resetting the terminals

RESTARTING THE TERMINAL

Push the On/Off button or "reset button" on the terminal to restart the terminal. If you can't restart the terminal, or if the problem persists, you might want to reset.

RESETTING THE TERMINAL

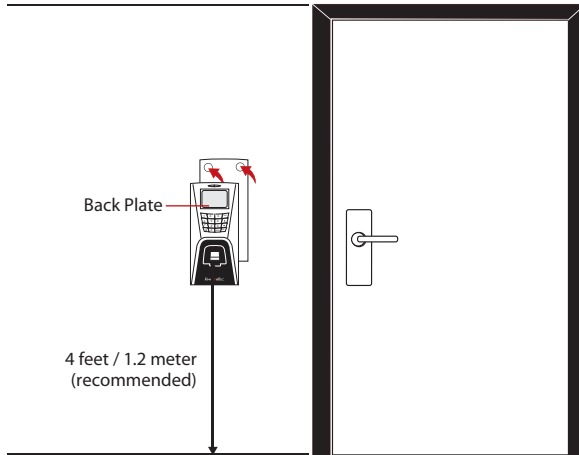
Press Menu > Option > System Option > Adv Opt > Reset terminal. Resetting of the terminal will cause all your settings to return to its original factory settings. Make sure that you have backed up all data before you proceed.

3 • CONNECTION – SYNCING TERMINALS

Installations

FingerTec terminals offer several connections for power and communications. Installations of FingerTec time attendance terminals are simple.

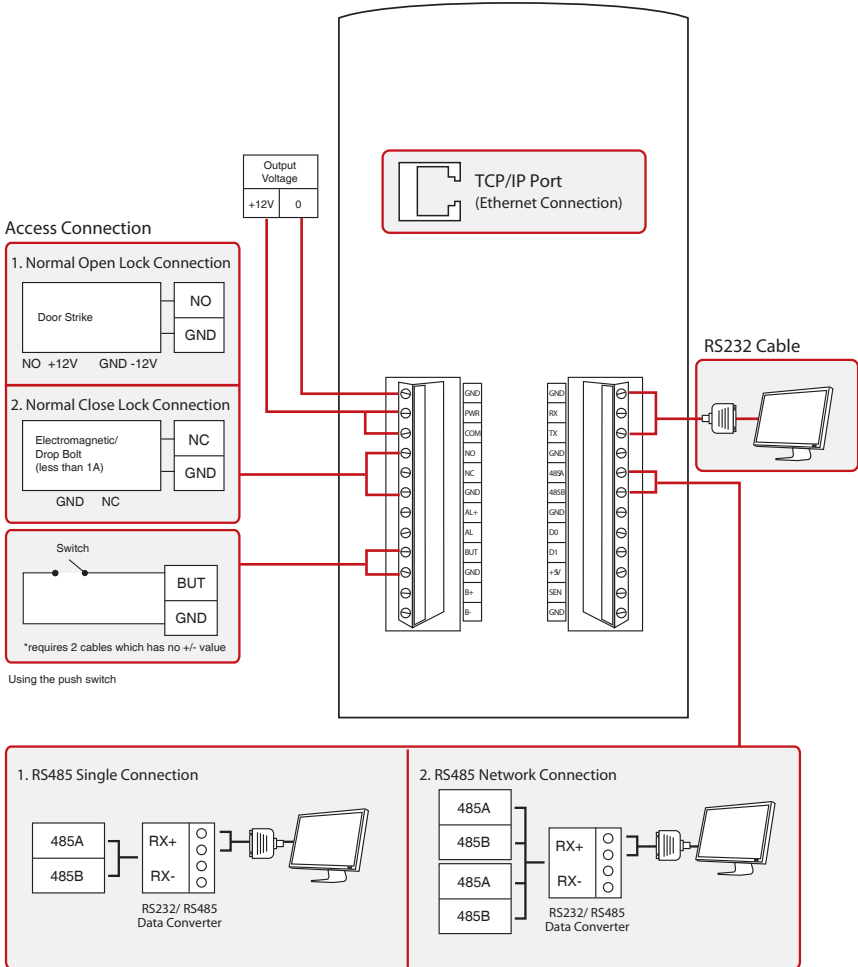
MOUNT ON WALL



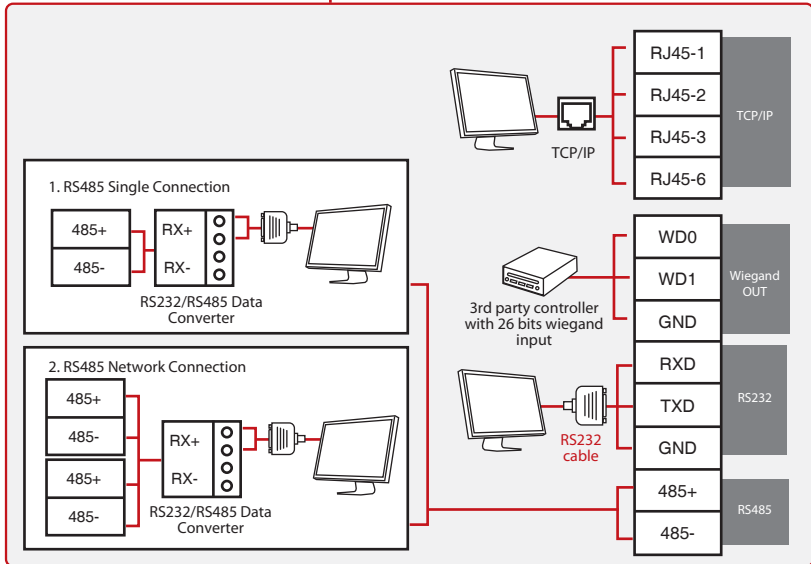
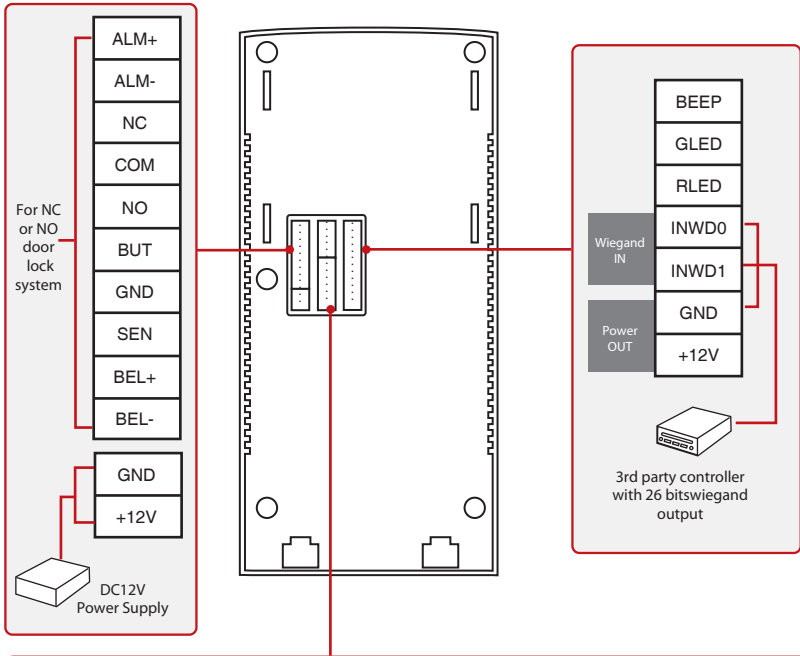
Attached the back plate on the wall securely and attach the terminal to the back plate when mounting it on the wall.

Communications

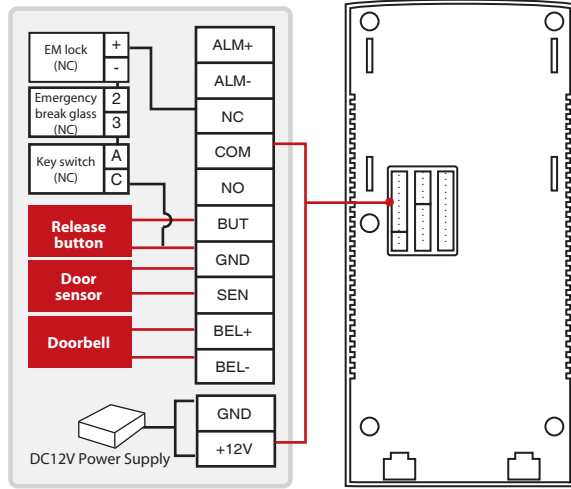
Connection points for power and communication are available on top of the terminals. Refer to the following diagrams for the terminals you require.



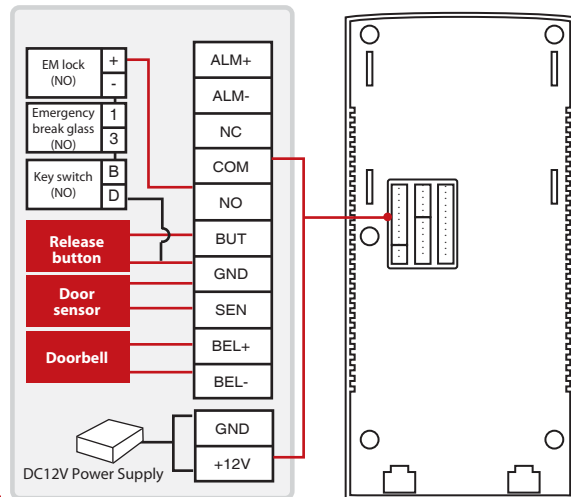
R2 or M2 MODEL



For NC (normally closed)
door lock system



For NO (normally open)
door lock system



Please refer to
AdapTec AC
Installer Manual
if you are using
AdapTec AC.

NOTE



USB PORT

Linking with USB flash disk for remote data transfer.

TCP/IP PORT

Connect with CAT 5 cable for LAN connection, one end to this port and another end to the computer's TCP/IP Port.

TCP/IP for Single Connection – Linking the terminal to a single computer using TCP/IP requires Ethernet 10/100Base-T Crossover Cable. The cable can be used to cascade hubs or to connect Ethernet stations back-to-back without a hub. It works with both 10Base-T and 100Base-TX

NOTE This feature is not available in AC900



TCP/IP for Network Connection – Linking the terminals to multiple computers using TCP/IP requires Ethernet 10/100Base-T Straight Thru Cable or “whips”. The cable works with both 10Base-T and 100Base-TX, connecting a network interface card to a hub or network outlet.

CONNECTOR PIN	CABLE COLOR	CONNECTOR
TX+	1 White/Orange	1 TX+
TX-	2 Orange	2 TX-
RX+	3 White/Green	3 RX+
	4 Blue	4
	5 White/Blue	5
RX-	6 Green	6 RX-
	7 White/Brown	7
	8 Brown	8

POWER SUPPLY PORT

Insert the Power Adapter point to this port for power.

RS232/RS485/WIEGAND CONNECTION PORT

RS232 – Connection to a computer using RS232 cable.

RS485 Single Connection - Connection to a single computer using RS485 wire.

RS485 Network Connection - Connection to multiple computers using Daisy Chain connection.

Wiegand Output – Connecting with third party connector or terminal(s).

ACCESS CONTROL PORT

Linking the terminal to door lock system.

BELL PORT

Linking the terminal to doorbell.

NOTE

Link all cables to the correct connection point(s) before attempting to connect the terminals to software.

Ingress Online Activation

Ingress is a genuine software by FingerTec. Every FingerTec access control model comes bundled with a unique license key. To start using the terminal with Ingress, you must connect the terminal to Ingress and perform online activation. Ingress reads the serial number of your terminal and sends it for verification at the FingerTec server via Internet.

In case you do not have an Internet connection, you would need to do offline activation. Please send the serial number and models of your terminals to your local resellers or support@fingertec.com to request for a product key and activation key.

Installation and Setup of Ingress

Install Ingress in a PC that fulfills Ingress’ minimum requirements. Refer to <http://www.fingertec.com/customer/download/postsales/SUM-Ingress-E.pdf> for the Ingress user guide online. Setup Wizard will require you to do online activation before connection establish between Ingress and terminals.

Connecting the Terminals to Ingress

DETERMINING TERMINAL NUMBER

Identify the number of your terminals to differentiate them between one another. Ingress can connect up to 999 units of terminal. Press Menu > Options > Comm Opt > Dev Num > Select the number.

USING TCP/IP

IP address is important, as it is a unique address of the terminal in LAN. Without the IP address, locating the specific terminal is not possible. **To input the IP address of the terminal:** Press Menu > Options > Comm Opt > IP Addr > Key in IP address.

USING TCP/IP

It is important to setup the Ethernet to connect the terminals using TCP/IP connection. **Setting up the Ethernet is done by enabling the Ethernet function:** Press Menu > Options > Comm Opt > Ethernet > Yes.

Turn off the terminal after you have set the Ethernet setting to Yes. Now, plug-in the network plug to the Ethernet interface and turn the power on.

Determining the Netmask, Gateway and NetSpeed: For TCP/IP connection, please configure the netmask, gateway and netspeed for the terminal.

Press Menu > Options > Comm Opt > NetMask > Insert the numbers.

Press Menu > Options > Comm Opt > Gateway > Insert the numbers.

Press Menu > Options > Comm Opt > NetSpeed > Choose the speed of your Ethernet connection.

USING RS232 CONNECTION

For connection via RS232, baudrate is the determinant of communication speed between the terminal and the software. The higher the baudrate, the faster the speed is.

To turn on RS232 connection and set the baudrate: Press Menu > Options > Comm Opt > RS232 > Change the RS232 connection to Y.

To change baudrate: Press Menu > Options > Comm Opt > Baudrate > Change the Baudrate accordingly.

USING RS485 CONNECTION

For connection via RS485, baudrate is also the determinant of communication speed between the terminal and the software but the speed must be according to the speed of the converter. Check your converter for the speed.

To turn on RS485 connection and set the baudrate: Press Menu > Options > Comm Opt > RS232 > Change the RS485 connection to Y.

To change baudrate: Press Menu > Options > Comm Opt > Baudrate > Change the Baudrate accordingly.

Using USB to Download/Upload Data

A USB flash disk is useful in cases where the terminal is installed far from a PC or there is a connection problem. To determine the type of USB flash disks compatible with the terminal, please refer to this link at fingertec.com/newsletter/HL_74.html using USB

Press Menu > PenDrive Mgmt > Choose the operation that you want to carry out via USB flash disk.

Communication Key

Since the software is controlled by an activation code and a product key, set the COMM key to zero. Press Menu > Options > Comm Opt > COMM Key > Set to 0.

4 • USER

Enrolling User

The terminals can enroll fingerprint templates, passwords and card information. This chapter covers all possible user enrollments in the terminals.

Caution: Enrollment of supervisor or administrator is important to ensure the terminals data safety. Prior to enrolling a new user, a supervisor has to be enrolled first by using any of the methods mentioned below. Select Enroll Admin > Choose the Privilege Level either Supervisor or Administrator to proceed.

FINGERPRINT ENROLLMENT

It is recommended to enroll two fingers for one user ID. One template is default and another one is used for backup. You need to check the quality of the fingerprint before doing any fingerprint enrollment. It is important to locate the center points of the finger because the center points has to be placed in the middle of the scanner during enrollment to get a good reading. Refer to page 19. You also have to make sure that the fingers are not too wet or too dry for enrollment.

Enrolling fingerprint: Press Menu > User Manage > Enroll User > Enroll FP > New Enroll > OK > Place finger 3 times > (OK) Save > ESC to exit, New Enrol (Continue?) – OK to proceed to enroll another fingerprint.

Enrolling backup fingerprint: Press Menu > User Manage > Enroll User > Enroll FP > ESC > Input User ID > Place finger 3 times > (OK) Save > ESC to exit, New Enroll (Continue?) – OK to proceed to enroll another fingerprint.

CARD ENROLLMENT

NOTE

This feature is NOT available in AC900 & M2

The default card for the terminal is the RFID card. MiFare and HID card systems are available upon request.

Enrolling card: Press Menu > User Manage > Enroll User > Reg RFID > New Enroll? > OK > Key in User ID (PIN) > Wave the card at the scanning area until the screen displays the Card ID > (OK) Save

PASSWORD ENROLLMENT

The terminals offer password verification and the maximum length of password is 5 digit.

Enrolling password: Press Menu > User Manage > Enroll User > Enroll Pwd > New Enroll? > OK > Key in User ID (PIN) > OK > Input your password > LCD showing the ID with minus -P to indicate that the user ID is using password > OK (Save)

Changing password: Press Menu > User Manage > Enroll User > Enroll Pwd > ESC > Input User ID > OK > Change your password > LCD showing the ID with minus -P to indicate that the user ID is using password > OK (Save)

FINGERPRINT AND PASSWORD ENROLLMENT

The terminals offer a combination of fingerprint and password enrollment for better security.

Enrolling FP and password: Press Menu > User Manage > Enroll User > FP & Pwd > New Enroll? > OK > Key in User ID (PIN) > OK > Input your fingerprint > Input your password and confirm the password one more time > LCD is showing the ID with minus -OP to indicate that the user ID is using a combination of fingerprint and password > OK (Save)

Verifying User

1:1 (ONE TO ONE) / 1:N (ONE TO MANY)

VERIFICATION METHOD	WHAT IS IT FOR
1:1 (One to One)	You have to identify your User ID before inputting any biometrics feature for verification. For example, your user ID is 1008. One to one method requires you to key in user ID followed by your fingerprint to get verified.
1:N (One to Many)	You don't need to identify your User ID before inputting any biometrics feature for verification. Simply place your finger on the scanner for verification.

VOICE MESSAGE

VOICE / MESSAGE	WHAT DOES IT MEAN?
"Verified"	Identity verification is successful, the terminal stores the transaction logs and opens the door (if connected to door access)
"Try again please"	Identity verification is failed because the finger is not properly positioned, the template is not available in the terminal or the password is incorrect.
"Admin Affirm"	You are not an administrator of the system and you cannot access Menu page
"Duplicate Finger"	This message only appears during registration when the finger that you want to enroll has been enrolled before. "FP Enrolled Aldr" will be displayed on the LCD screen.
"Invalid ID"	For 1:1 verification, User ID entered does not match with fingerprint.

FINGERPRINT VERIFICATION

1:N – 1:N verification does not require any input of your user ID. Place your finger properly on the scanner and the terminal takes second to verify your identity

1:1 – 1:1 requires input of User ID before the terminal reads and verifies. Input ID on the screen > Press OK button > the terminal reads and verifies.

Some precautions have to be taken to get a good read every time.

- Make sure the center point of your finger is placed in the middle of the scanner for a good read.



- Recommended to use index finger. The terminal accepts other fingers but index is the most convenient.
- Make sure the finger is not wet, too dry, injured or dirty
- Do not press hard on the sensor, just place it comfortably
- Avoid direct sunlight or bright light

PASSWORD VERIFICATION

Password is an option for those who prefer not to use other verification methods. To verify via password, insert User ID > OK > insert password and press OK.

CARD VERIFICATION

Place the card on the card scanning area and the terminal will read and verify the card.

Types of Verification Methods

NOTE

This feature is NOT available in AC900 & M2

The fingerprint terminals offer various verification methods which include fingerprint (FP), User ID (PIN), Password (PW), and RFID (RF). You can configure the terminal to offer multiverification methods. Press Menu > Options > Access Options > Group VerType > Select the Group > OK > Select the time > OK > Down arrow and select Verification Type > OK

The terminals support the following combinations of verification:

VERIFICATION TYPE	DESCRIPTION
FP	Fingerprint only
PIN	User ID only
PW	Password only
RF	RFID Card only
FP/PW	Fingerprint or password
FP/RF	Fingerprint or RFID Card
PW/RF	Password or RFID Card
PIN & FP	User ID and fingerprint
FP & PW	Fingerprint and password

FP & RF	Fingerprint and RFID Card
PW & RF	Password and RFID Card
FP/ PW/ RF	Fingerprint or Password or RFID. One method only
FP & PW & RF	Fingerprint, password and RFID, all methods are required
PIN & FP & PW	User ID, fingerprint and password, all methods required
FP & RF / PIN	Fingerprint and RFID card or 1:1 fingerprint matching

Go to **Chapter 8: Access Options to learn more about Grouping and Group Definition.**

Adding User Information

User information can be added into FingerTec terminals through the TCMS V2 software. After the information is updated, sync TCMS V2 with the terminal to display the information.

Deleting User

Only an administrator can perform user deletion at the terminal. To delete certain user(s), press Menu > User Manage > Delete > Input User ID > The terminal will tell you the verification method enrolled by the user ID > OK > Prompting you to Delete User > Press OK > Confirmation is required > OK as Yes and Esc as No

Access Level/Privilege

The terminal offers various types of access level or privilege.

PRIVILEGE	USER ROLES
Normal User	Only use the terminal to verify your identity. You cannot access into the Menu and make changes on settings and system
Enroller	You are allowed to access into the menu to enroll user only.
Administrator	You are allowed to access into the menu to enroll users only and edit simple settings and system excluding access options and advanced options
Supervisor	You are allowed to access into the menu to enroll users and edit settings and system

5 • SYSTEM

General Settings

ADJUSTING DATE/TIME

The function of the terminal is to record time attendance and door access activities of employees. Precision in time and date cannot be compromised for the system to work efficiently. Adjust Date/Time according to your time zone. Press Menu > Options > System Opt > Date/Time > Select Value > OK

DATE FORMAT

Date format differs based on countries for example in Malaysia the format used is, date-month-year whereas in America, month comes first. Choose your date format according to your preference. The default format is dd-mm-yy. Press Menu > Options > System Opt > Fmt > Select Format > OK

SYSTEM LANGUAGE

The terminals offers various languages to match your local requirements. Maximum of 3 language packs are available in one terminal at a time and it's set according to your request during purchase. Default language is English. Press Menu > Options > System Opt > Language > Choose your language > OK

VOICE

The terminal has certain voice commands to guide users during enrolment and to notify users during the identity verification process. Press Menu > Options > System Opt > Adv Option > Voice > Y/N

VOLUME (%)

Voice Control lets you control the level of volume emitted by the terminal.

Adjust Volume: Default volume of the terminal's voice is 65. The volume can go as high as 100 and as low as 0. To sustain the performance of speaker in the terminal it's recommended to stay at range 60-70. To adjust the volume Press Menu > Options > System Opt > Adv Option > Adj VOL (%) > Set your number > OK.

USER INTERFACE STYLE

The terminals offer different user interface style. Select your style based on your preference. Menu > Options > UI Style > Select your style > OK

Fingerprint Settings

Configure the settings for fingerprint enrollment and verification to achieve optimum effectiveness.

SETTING THRESHOLD

Threshold is the level of a fingerprint scanner's sensitivity. Threshold determines how many percent of minutiae points on a fingerprint template is being read by the system. The higher the threshold level, the more points are being read, and the more restricted the system. Configure the threshold for 1:1 and 1:N methods.

For 1:1, the range is from 15-50 and the recommended value is 35.

For 1:N, the range is from 5-50 and the recommended value is 45.

1:N – Match Threshold: Menu > Options > System Opt > Adv Option > Match Threshold > Determine the Level > OK

1:1 – 1:1 Threshold: Menu > Options > System Opt > Adv Option > 1:1 Threshold > Determine the Level > OK

TWO SENSOR

When you choose yes for this operation, an external fingerprint scanner can be inserted into the USB port to conduct verification. Menu > Options > System Opt > Adv Option > Two Sensor > Y/N > OK

AUTO ALARM

Auto Alarm allows you to connect the terminal to third party alarm system. Menu > Options > System Opt > Adv Option > Auto Alarm > Y/N > OK

SHOW SCORE

The algorithm reads the minutiae points on a fingerprint for verification. This operation allows you to choose to display the number of minutiae points being read by the terminal. If you choose Y, the number will be displayed on the top right corner of the LCD screen. Menu > Options > System Opt > Adv Option > Show Score > Y/N > OK

DEFINING WORK CODES

The fingerprint terminal provides work code feature which allowing user to key in a pre-defined numbers after verification. The work code numbers are predefined in software. The following table is showing examples of work codes.

Reasons	Work code
Check In	00
Check Out	01
OT start	04
Done	05
Sick Leave	10
Half-day Leave	12
Emergency Leave	11
Meeting Client	20
Outstation	21

Workcode Mode 1: Verification followed by work code

Workcode Mode 2: Work code followed by verification

To disable: Select No

Menu > Options > System Opt > Adv Option > Work Code > OK > Select Preference > OK

Update Firmware

FingerTec offer updates for the terminals regularly through software in a PC. Always consult your local reseller before you update firmware of the terminal or alternatively you can contact us at support@fingertec.com. Save the latest firmware in a USB flash disk before attempting this operation. Press Menu > Options > System Opt > Adv Option > Upd Firmware > OK > Plug Pen Drive? > Insert the USB Flash Disk into the slot > OK

System Information

The terminals keep information of the system and this information is available for viewing by administrators.

NUMBER OF USERS IN THE TERMINAL (USER COUNT)

Every model of the terminal has different user capacity depending on the number of templates a user has in a terminal. For example, if a terminal could contain 3000 fingerprint templates and a user is entitled to 2 templates enrolment, the total user of the system would be 1500. **To find out how many users are enrolled in a terminal:** Press Menu > Sys Info > User Cnt > View the number

QUANTITY OF FINGERPRINT TEMPLATES STORED IN THE TERMINAL (FP COUNT) *(This feature is NOT available in TimeLine 100 model.)*

The terminals contain fingerprint templates and the capacity differs from one model to another. **To find out the number of fingerprint count in the terminal:** Press Menu > Sys Info > FP Cnt > View the number

QUANTITY OF ATTENDANCE LOGS SAVED IN THE TERMINAL (ATT LOG)

Once verification is completed, an attendance log will be stored in the terminal as record. A terminal can contain up to 120,000 logs depending on the models. Press Menu > Sys Info > AttLogs Cnt > View the number

NUMBER OF ADMINISTRATORS REGISTERED IN THE TERMINAL (ADMIN COUNT)

A company can enroll several administrators to manage the system. This function enable the company to check the number of administrator present for a particular terminal. Press Menu > Sys Info > Admin Cnt > View the number

NUMBER OF PASSWORD USERS AVAILABLE IN THE TERMINAL (PASSWORD USER)

Users can do verification using PIN password and a combination of fingerprint and password. **To find out how many users are using password:** Press Menu > Sys Info > Password User > View the number

NUMBER OF TIME SCANNERS HAVE BEEN USED FOR VERIFICATION (S LOGS)

S logs stands for scanner logs, which means the number of times the scanner has been used for verification, regardless of whether it is successful or not. **To view the scanner logs:** Press Menu > Sys Info > S Logs > View the number of S Logs

FREE SPACE INFORMATION (FREE SPACE)

Find out the information about availability of space in your terminal through this function. Press Menu > Sys Info > Free Space > View the info Information available includes fingerprint count, att log and S logs.

DEVICE INFORMATION (DEV INFO)

Find out the information about your terminal through this function. Press Menu > Sys Info > Dev Info > View the info

Information available includes:

AttLog (10k): Shows the number of attendance logs that can be stored in the terminal, for example for AttLog (10k) 12 means 10,000 x 12 = 120,000

S Logs: Shows the number of Scanner Logs available for the terminal.

Manufactured Time (Manu Time): The date and time when the terminal was produced is displayed when you press Manu Time

Serial Number of the Terminal (Serial Num): The serial number of the terminal is important to activate the software and to liaise with FingerTec Worldwide in support issues. The Serial number is pasted on the back of the terminal but in case the sticker is damaged, this is where you can retrieve the serial number.

Manufacturer: Get the name of the manufacturer of the terminal here.

Device Name: All models have different names. If you don't know the name of the terminal that you are having, get it here.

Algorithm Version: FingerTec Worldwide has already released a few algorithm versions into the market since the year 2000. New algorithm version comes with some improvements. This is where you can find terminal's algorithm version.

Firmware Version: Support sometimes require a firmware version to resolve some support issues. The version and date of the version is released is provided here. For example: Ver 6.20 Aug 19 2009

View MAC: This feature is a security feature of the products. Linking Software to the terminal requires the correct MAC address. Without availability of MAC address, the software will not be activated correctly. All products are supplied with the correct MAC address to ease communication. This is also to hinder people from using the software with a different hardware brand. An example of a MAC address is 00:0A:5D F1 BE 57. Menu > Sys Info > Dev Info > View MAC

MCU Version: An MCU is the Main Controller Unit for the terminals. Version of the MCU determines the features and functions the terminal carries. **To check the MCU Version:** Menu > Sys Info > Dev Info > MCU Version

Log Information (Log Opt)

A terminal can only retain certain amount of information before the terminal becomes full and stops accepting anymore data . To maintain the performance of a terminal, you can set an alarm to alert you when the data reaches a certain warning level.

ALARM SUPERLOG

To instruct terminal to alert user if the transaction storage for administrator login is less than as configured. Default value is 99.

ALARM ATTLOG

To instruct terminal to alert user if the transaction storage is less than as configured. Default value is 99

RECHECK MIN

To instruct terminal to update clocking times of all users in a time interval. Default is 10 mins.

6 • DATA

Every time an enrollment is performed or a verification is done, a transaction log is created and stored inside the terminal. The data contains created terminal ID, date, time, userID and transaction activity. For example, 010502100900000000010010000:

DESCRIPTION	CODE
Terminal ID	01
Date (ddmmyy)	050210
Time (hhmm)	0900
User ID	000000001
Transaction Code	00
Terminal Activity	00

These logs need to be managed to maintain the effectiveness of the terminal. It is recommended to do the housekeeping of data from the software but there are 5 functions available in Data icon to enable you to manage data in the terminals

Deleting Transaction Logs

Delete Attendance Logs: The fingerprint terminal stores every transaction logs of its user. Once a user is enrolled and verified, the logs will be kept in the terminal. Sometimes housekeeping needs to be done to sustain the terminal's performance. Please be certain before performing this operation because once the OK button is pressed, all attendance logs will be lost. Press Menu > Options > System Opt > Adv Option > Del Attlogs > OK > Delete? OK

Deleting All Data

Clear All Data: The fingerprint terminal contains all user data including User ID, verification methods, fingerprint templates, logs, etc. This operation allows deletion of all data in the terminal. Please be certain before performing this operation because once the OK button is pressed, all data will be lost. Press Menu > Options > System Opt > Adv Option > Clear All Data > OK > Delete? OK

Managing User Privileges

Clear Admin Privilege: To access system menu, it is recommended to enroll administrator to the system. Once administrator is enrolled, every time someone presses the Menu button, Admin Affirm message will be displayed. Clear Admin Privilege operation allows the current administrator to clear all his/her data to make way for the new administrator's data. Once the operation is completed, system menu is accessible by all users. Press Menu > Options > System Opt > Adv Option > Clr Admin Pri > OK > Continue? > OK

Resetting to Factory Settings

Reset Option: This feature is to restore all settings in the terminal to return to the original factory settings. You have to be certain before conducting this operation because once the OK button is pressed the terminal will be reset automatically. Press Menu > Options > System Opt > Adv Option > Reset Opts > OK. Please redo all the settings to suit to your company's requirements. Press Menu > Data icon > Restore to Factory Settings > Confirmation is required (Yes/No)

7 • USB

NOTE

This feature is NOT available in AC900

Understanding the Need for USB Flash Disk

Communication between the terminal and a PC is very important to upload and download transaction data for time attendance and door access reports. The terminal offers a few communication options such as LAN and serial cable connections but sometimes there are scenarios that require USB (Universal Serial Bus) connectivity. USB can connect to the terminal with a computer for download and upload of user information and transaction logs. In the terminal, the USB Flash Disk function is known as Pen Drive Management.

Type of USB

There are various types of USB available in the market. The terminal can only work with USB flash disks that support minimum Linux Kernel 2.4.x, working fine with Imation, Transcend and Pen Drive (minimum support Linux Kernel 2.4.x) To determine the type of USB compatible by FingerTec terminal, please refer to this link fingertec.com/news-letter/HL_74.html

Downloading Attendance Logs

To download attendance logs from the terminal to the computer: Press Menu > Pen-Drive Mng > DwnLoad AttLog > The terminal would require you to plug in the USB Flash Disk to proceed. After the download process is complete, eject USB Flash Disk from the terminal and connect it to your PC that has been installed with the software. Upload the data from the USB into software for further processing.

Downloading User Data

Enrollment of user must be done at the terminal. During enrollment, user data such as name and user ID are entered. **To sync the data between the terminal and computer:** Press Menu > PenDrive Mng > DwnLoad User > The terminal would require you to plug in the USB Flash Disk to proceed.

Uploading User Data from USB to Terminal

While administrator can input user data from the terminal, the rest of the users information is completed in the software. Get the latest updates of user information from the software to the terminal by using a USB Flash Disk. Press Menu > PenDrive Mng > Upload User > The terminal would require you to plug in the USB Flash Disk to proceed.

Uploading Short Messages

Some terminals can display a short messaging system on the LCD. The SMS can be private or public. **To assign sms to an individual or all staff using USB:** Press Menu > PenDrive Mng > Upload SMS > Insert the USB Flash Disk to proceed

8 • ACCESS

Using The Terminal as Door Access

The terminals can be connected to door access accessories like electromagnetic lock, doorbolt, exit button, etc to control access to doors. FingerTec provides all kinds of door-lock accessories which can be viewed at accessory.fingertec.com.

Make sure you understand the access options offered in the terminal and do necessary configurations for your door access system.

Access Options

This function determines user's accessibility or authority to enter certain doors.

TIME ZONE

The period where a user is allowed access is called TIME ZONE or time period (TP). In total there are 50 time zones available in FingerTec fingerprint models. Each Time Zone has 7 time slots for Monday until Sunday. **To define time zone:** Press Menu > Options > Access Options > Define TP > Select the Time Zone number and determine the time for each day.

Example 1

TIME ZONE	SUN	MON	TUE	WED	THU	FRI	SAT
1	0900:1800	0900:1800	0900:1800	0900:1800	0900:1800	0900:1800	0900:1800

What does Time Zone 1 mean?

Time Zone 1 consists of a constant access time for a period of one week where a user checks in at 9:00 and leaves at 18:00

Example 2

TIME ZONE	SUN	MON	TUE	WED	THU	FRI	SAT
2	0900:1800	0900:1800	0900:1800	0900:1800	0900:1800	0900:1800	0900:1800

What does Time Zone 2 mean?

Time Zone 2 is showing variation in access schedule from 8am-12pm from Mondays to Fridays and users are not allowed any access on the weekends.

Example 1

TIME ZONE	SUN	MON	TUE	WED	THU	FRI	SAT
2	0000:2359	1400:1800	1400:1800	1400:1800	1400:1800	1400:1800	0000:2359

What does Time Zone 3 mean?

Time Zone 3 is showing variation in access schedule from 2pm-6pm from Mondays to Fridays and users are not allowed any access on the weekends

GROUPING

When a group of users are having an almost similar time zone assignment, they can be grouped together. **For example**, Time Zone 2 and Time Zone 3 are suitable for one group where users in this group checks in at 8:00 until 12:00 has a, break time from 12:00 to 14:00 , continue from 14:00 to 18:00, and no one is allowed access during weekends. Therefore, these users will be in Group Time Zone 1. The table below illustrates the Group Time Zone concept.

GROUP TIME ZONE	TIME ZONE	TIME ZONE	TIME ZONE
1	2	3	

There are a total of 5 Group Time Zones available in the system. The system default is Group 1 and Time Zone 1. Therefore, the newly enrolled users automatically will be in an unlocking status. If those users are not included in the grouping combination setting, they are given permission to record attendance but they can't unlock any door.

To define Group Time Zone: Press Menu > Options > Access Options > GRP TP Define > There are a total of 5 Group Time Zone offered and each Group Time Zone accepts only 3 time zones.

User Account Options

After a user has been enrolled, you can configure his/her access option settings. Press Menu > Options > Access Options > User Acc Opts > Input the user ID that you want to set the access option for > Determine the below matter:

USER ACC OPTS	WHAT YOU SHOULD DO
Belong to Group	Select group for this user
Use Group TPs	Yes or No
TP1	Select your Time Zone number 1
TP2	Select your Time Zone number 2
TP3	Select your Time Zone number 3
VERType	Select the verification type. There are a total of 15 types available
Use Grp VS	Yes or No

Access Combination

Access Combination is when you combine different users' verification in order to gain access. The system offers 10 different Access Combos and each combination applies to 3 Group Time Zones:

ACCESS COMBO	GROUP TIME ZONE	
1	1	TP1: 0900 – 13:00
	2	TP2: 1000 – 1500
	3	TP3: 1300 - 1400

To use the Access Combo, users from all the three time zones must be present for verification and the time period of the three groups must be valid in order to gain access. As shown in these time zones, 13:00 is the overlapping time where all of them can gain access.

To configure Access Combo: press Menu > Options > Access Options > Access Comb
> Select the combination you want for example Comb1 > OK > input the number, in
this case 123 to represent GRP TP1, GRP TP2, GRP TP3> OK

Lock

The opening period of the electromagnetic lock or door bolt can be controlled according to your requirement or preference. The default value is 150 which translates to 3 sec. 50 is equivalent to 1 second. Press Menu > Options > Access Options > Lock > Determine the value of lock delay.

Door Sensor Delay

Door sensor delay can be configured to alert users if a door is not closing well after a time period. A door sensor must be installed prior to activation of this option. The default period is 10seconds and the maximum period is 999seconds. Press Menu > Options > Access Options > Dsen Delay > Determine the value of lock delay.

Door Sensor Mode

Door sensor mode is to configure the time to alert an internal buzzer if the door is not closing properly. The standard of door locking system includes:

Normally Closed (NC): An electrical contact that regularly allows electricity to flow until it is signaled to open

Normally Open (NO): An electrical contact that rarely allows electricity to flow. To use door sensor, select NC. Press Menu > Options > Access Options > Dsen Mode > Determine the type correctly > OK

Door Sensor Alarm

Door Sensor Alarm can be configured to alert users by using the alarm system if a door is not closing well after a time period. An alarm system must be installed first to use this operation. Press Menu > Options > Access Options > Dsen Alarm > Determine the period > OK

Turning Off Alarm

There are scenarios that require you to turn off your alarm system and this can be done through the terminal. To do this you have to press and hold the security button at the back of the terminal followed by pressing Menu > Turn Off Alarm.If you didn't press the security button, the message "System Broken!!!" message will be displayed when you press the Turn Off Alarm operation button.

Duress Options

The terminal will trigger an alarm system after receiving a successful verification from a duress password.

MANAGEMENT OF DURESS FINGERPRINT

Press Menu > Options > Access Options > Duress Options > Duress FP >. You can perform four tasks in this operation.

DURESS FP	WHAT IS IT FOR
New Enrollment	To perform a new fingerprint enrollment for duress purpose
Define Duress FP	To define the already enrolled fingerprint for duress purpose
Undefine Duress FP	To undefined selected enrolled duress fingerprint from the terminal
Undefine All Duress FP	To undefined all enrolled duress fingerprints from the terminal

HELP KEY

You can configure a Help Key in your terminal to function during duress situations. First, you have to enable the Help Key by: Press Menu > Options > Access Options > Duress Options > Help Key > Y. Then, press and hold the down arrow for 3s followed by the duress fingerprint verification, to trigger alarm.

TRIGGER METHODS

The terminals offer 3 types of alarm trigger method. Press Menu > Options > Access Options > Duress Options > Choose your method > Y. You can choose one method only.

ALARM TRIGGER METHOD	WHAT DOES IT MEAN?
1:1 Trigger	Triggering alarm using 1:1 method
1:N Trigger	Triggering alarm using 1:N method
Password Trigger	Triggering alarm using password method

NOTE

Do not using the same method and the same fingerprint during normal working days to avoid triggering the alarm system and disrupting working environment.

ALARM DELAY

Set the timer to set off the alarm after successful duress finger verification. The time range is from 0 to 254s. The type of output for alarm is NO/NC. Press Menu > Options > Access Options > Duress Options > Alarm Delay > Set your value > OK

Alarm Count

There is a limit to unsuccessful verification by a user. Predefine the value of unsuccessful verifications so that if a user exceeds the allowed times, the alarm will be triggered if your terminal is installed with an alarm system. Press Menu > Options > Access Options > Alarm CNT > Define the value > OK

Group Verification Type

This function offers various verification type(s) for every group that can be set according to time. Description of verification types available in FingerTec fingerprint terminal is explained in Chapter 4: User. Press Menu > Options > Access Options > Group Ver-Type > Select the Group > OK > Select the time > Down arrow and select Verification Type. After finished, press OK.

The fingerprint terminals are versatile and it can accept card verifications. This chapter covers the Radio Frequency Identification or better known as RFID system. The terminals accept RFID card with specifications of 64-bit, 125kHz.

Enrollment of RFID Card

RFID can be enrolled alone, with fingerprint or with password. Each RFID card comes with a unique ID and the terminals will read from the numbers and match it with the card.

Enrollment of RFID is easy. Press Menu > User Manage > Enroll User/Admin > Reg RFID > OK > Do you want to do new enrollment? > OK > Insert the user ID > OK > Wave the card to the induction area and the machine will display the card number on the LCD along with the User ID > OK > The terminal will display User ID-C meaning that the ID is enrolled with card > OK(Save)

Verification Using RFID Card Only

In case you want the terminal to read only RFID card, you can configure this selection by selecting RF on Group VerType under Access Options.

Multi-verification Methods Using RFID

The terminals allow multi-verification where a user is required to use two or more verification methods before he is allowed access to certain areas. Refer to **Chapter 4: User**, page 19 under **Types of Verification Method** for more information about different combinations for the terminals and how to configure them.

Basically, in order to select different verification methods, make sure that you have registered or enrolled that method in the terminal for the said User ID before any selection is made.

Deleting RFID Card

RFID cards can be used again and again but the information in the card must be deleted first before inserting new information.

Press Menu > User Manage > Delete > Input the User ID and wave the card at the induction area > The LCD will ask whether you want to delete the User ID-C > The terminal will ask whether you want to delete User ID > And to delete user. Press OK to all.

Once the card has been emptied, it can be used again.

Changing Card ID

Press Menu > User Manage > Enroll User/Admin > Reg RFID > ESC > Change Card ID > Key in Original ID > OK > Wave new card > OK (Save)

10 • MIFARE CARD FUNCTION

NOTE

This feature is not a default function and it's made upon request. Check your terminal card system to identify the type of card the terminal is using. This feature is NOT available in AC900 and M2

This chapter covers the MiFare card system or better known in MC system. The terminals accept MiFare card with specifications MF1S50/S70, 13.56MHz.

Fingerprint Card Key (FP Card Key)

FP Card Key function provides extra security to the MiFare card users. FP Card Key is a password with a maximum 6-digit code. Once you have inserted an FP Card Key into a terminal, all the MiFare cards which are enrolled in this terminal will have this password. The terminal will always check the password before verification is done.

To input the FP Card Key: Press Menu > Options > System Option > Adv Option > FP Card Key > Input the Password > OK

Creating PIN Card

PIN is known as a User ID. Enroll a fingerprint to obtain a User ID. To create a PIN Card, you need to have a User ID or a PIN.

Menu > User Manage > FPCard Mng > Create PINCard > Input an ID > Show the card to the induction area > The LCD will display "Write Succ" which indicates that the ID has been transferred to the card and is not stored in the terminal anymore. After this registration, a user can get access by using the card only.

Enrolling FP Card

Enroll FP is a function to store a fingerprint template into a MiFare card. Once the enrollment is successful, the templates will no longer be kept in the terminal. Therefore, access or attendance, you need to produce the card to the terminal to obtain verification. In your card now stores your user ID and your fingerprint template.

Menu > User Manage > FPCard Mng > Enroll FPCard > Input a User ID > Register your fingerprint > Show the Mifare Card at the induction area > The LCD will display "Write Succ" to indicate that the process is successful

Creating FPCard

Create FPCard is a function that allows you to duplicate a fingerprint template already enrolled in the terminal to be copied into the card. Therefore, for access or attendance, you can choose to use your card or your fingerprint.

Menu > User Manage > FPCard Mng > Enroll FPCard > Input a User ID (Make sure that this User ID has been enrolled with a fingerprint > Show the Mifare Card at the induction area > The LCD will display "Write Succ" to indicate that the process is successful. Now you can gain access or report attendance using the card or the fingerprint.

Registering FPCard

Register FPCard is a function whereby you want to use your FP Card in other terminals in the company. Menu > User Manage > FPCard Mng > Reg FPCard > Show the Mifare Card at the induction area > The LCD will display "Write Succ" to indicate that the process is successful. Now you can gain access or report attendance using the FP card.

Unregistering FPCard

This is a function whereby you do not want to use your FP Card in any terminals in the company. Menu > User Manage > FPCard Mng > Unreg FPCard > Show the Mifare Card at the induction area > The LCD will display "Write Succ" to indicate that the process is successful

The card is still valid but the card cannot be used in that particular terminal to gain access or report attendance.

Emptying FPCard

MiFare card is writeable; therefore you can use it time and time again. To delete all the information in the card, use Empty FPCard function.

Menu > User Manage > FPCard Mng > Empty FPCard > Show the Mifare Card at the induction area > The LCD will display "Write Succ" to indicate that the process is successful. Now the card is empty and ready to accept enrollment.

Dumping FPCard

Fingerprint template stored in MiFare card can be transferred to the terminal by this simple operation. Make sure that the card is containing fingerprint templates to proceed with this operation.

Menu > User Manage > FPCard Mng > Dump FPCard > Show the Mifare Card at the induction area > The LCD will display "Write Succ" to indicate that the process is successful. Once copied, you can use fingerprint or the card on that particular terminal for access or attendance.

Moving To FPCard

Fingerprint template stored in the terminal can also be transferred to the FP Card by this simple operation. Once the process is done, the terminal deletes the fingerprint template from its memory. Menu > User Manage > FPCard Mng > Move to FPCard > Show the Mifare Card at the induction area > The LCD will display "Write Succ" to indicate that the process is successful.

Changing FPCard

Press Menu > User Management > OK > Enroll User/Admin > OK > Register RFID > ESC > Change Card ID > Key in original ID > OK > Wave new card > OK (Save)

11 • HID CARD FUNCTION

NOTE

This feature is not a default function and it's made upon request. Check your terminal card system to identify the type of card the terminal is using. This feature is NOT available in AC900 and M2.

The terminals accept HID cards with specifications of 1325, 26-bit, 125kHz. The Prox II cards support 26-bit and it comes with unique programming information into its contents, which include card reading bits, card number range, facility code, site code, etc. HID cards also applies encryption to the contents of the card to maintain high level of security and to eliminate duplications.

Registering HID Card

Registration of the HID card is similar to registration of normal RFID cards. Press Menu > User Manage > Enroll User/Admin > Reg RFID > Do you want to do new enrollment? > Insert user ID > Wave the card to the induction area and the machine will display the card number along with the user ID on the LCD > The terminal will display UserID-C indicating that the user ID has been enrolled with card > OK(Save)

Deleting HID Card

HID cards can be used again and again but the information in the card must be deleted first before inserting new information.

Press Menu > User Manage > Delete > Input the User ID and wave the card at the induction area > The LCD will ask whether you want to delete the User ID-C > The terminal will ask whether you want to delete User ID > And to delete user. Press OK to all.

Once the card has been emptied, it can be used again.

12 • AUTO TEST

Who should do the Auto Test?

Auto Test page is to diagnose or analyze the conditions in the terminal. There are 6 tests available in the Auto Test page and only the administrator is allowed to perform the test. Before running any tests, kindly contact your reseller for advice or you could email support@fingertec.com.

Run All Tests At Once

The Auto Test contains 6 tests and to run all of them at once, Press Menu > Options > Auto Test > Run All Test > OK > "Pls keep Pwr On" message will be displayed > The terminal will run all tests and when finished the LCD will display the result such as this: All: 31 Bad: 0, to indicate the level of breakdown in the terminal.

FLASH Test

Press Menu > Options > Auto Test > FLASH test > OK > "Pls keep Pwr On" message will be displayed > The terminal will run all tests and when finished the LCD will display the result such as this: All: 31 Bad: 0

LCD Test

Press Menu > Options > Auto Test > LCD test > OK > The screen will display lines of 'W'. Any missing Ws or jagged W indicates LCD error. Escape to return to the previous page

Voice Test

Press Menu > Options > Auto Test > Voice test > OK > The LCD will display for example: "Play Voice 1" and you will hear the message for that. Press OK to listen to the next voice. Any error indicates that something is wrong with the speaker.

FP Reader

Press Menu > Options > Auto Test > FP Reader > OK > If your fingerprint sensor is not in good condition, you will see "OK!"

Key Test

Press Menu > Options > Auto Test > Key Test > OK > Press any key and look at the LCD display. If the key matches the description on the LCD, the keypad is in good condition

RTC Test

Press Menu > Options > Auto Test > RTC test > OK > If the RTC battery is still working, the test will prompt an "OK!"

TROUBLESHOOTING

“UNABLE TO CONNECT” APPEARS

When this message appears, it means that the settings for the terminals and the computers are not properly done. Find out which method you are using to connect. FingerTec offers LAN, RS232, RS485 and USB communication methods. Refer to Chapter 3: Connection - Syncing Terminal to further understand the topic.

“ADMIN AFFIRM” APPEARS

You are not an administrator of this terminal. Only an authorized administrator of the system is allowed to access the Menu. Any attempt of normal user to access the Menu will prompt “Admin Affirm” message on the screen. In case the administrator has resigned from the company, kindly contact your FingerTec authorized reseller to access the terminal.

DIFFICULT TO READ FINGER

Five things could be the cause of this:

Enrolment is not properly done: Enrolment is the most important process to ensure that the FingerTec terminal captures the best quality of your fingerprints. Refer to chapter 4 for more on how to conduct a good enrolment.

The location of the terminal is not conducive: The scanner does not work well in bright-lighted area. Cover the scanner a little if this is the cause of the difficulty. Shift the location area for a better performance.

Finger is not properly placed: To get a good reading, make sure that your finger's center points are placed on at the middle of the scanner. Adjust the position of your fingerprint as you see it onscreen.

The scanner is not cleaned or it is scratched: Check the quality of the scanner. If the scanner is dirty, please clean it with pasting and lifting of a piece of cellophane tape on the scanner. Use a microfiber cloth for a non-coated scanner. If it's scratched, contact your local reseller for a replacement.

Did anything happen to your finger lately? Make sure that the finger is not injured, cut or bruised because it could cause difficulty to read. The algorithm reads the minutiae points of your fingerprint, the more it can read, the better the result.

THE LED IS BLINKING ALL THE TIME

You have nothing to worry about unless the blinking light is red. The green light indicates that terminal is on standby mode. Red blinking light may signal a problem in the terminal. Charge your terminals for a few hours to avoid the red light from blinking. Consult your reseller for technical advice.

“DUPLICATE FINGER” APPEARS

FingerTec is an intelligent terminal. It will not accept the same fingerprint twice into its system. If you have registered a finger into a FingerTec device, the system would prompt, “Duplicate Finger” when you try to enroll that finger for another time. Choose a different finger to proceed.

RFID CARD DOESN'T RESPOND

Two possibilities for this problem

Have you registered the card to the terminal?

The card must be registered to the terminal before the terminal could read the information in the card. Refer to chapter 8 User, page 29 for card enrollment.

Have you assigned the user ID to the verification group that supports RFID card?

Without setting the terminal that you are under a group that supports RFID card, the FingerTec terminal wouldn't read your card.

NO SOUND

A few things could cause this problem:

The terminal voice mode is silent

Perhaps someone has turned off the voice in your terminal or reduced its volume to 0%. Refer to Chapter 5 System to under Voice to rectify.

Speaker is damaged

Once you have rectified the voice mode and the problem persists, proceed to test the voice. Go to Chapter 12 Auto Test to do the test. If no voice emitted, contact your local reseller for support.

For more troubleshooting, go to user.fingertec.com

OTHER RESOURCES

Information About FingerTec

TO LEARN ABOUT	GO TO?
Company and the products	www.fingertec.com
The latest updates	Facebook Fan Page: FingerTec Worldwide Twitter: FingerTec To subscribe for FingerTec newsletter: info.fingertec.com/subscribenewsletter
Technical Tips and Latest Product Updates and Upgrades	user.fingertec.com
Email	info@fingertec.com (Sales) support@fingertec.com (Technical)
Register for Warranty	info.fingertec.com/productwarranty
FingerTec Accessory	accessory.fingertec.com

Copyright Notice & Disclaimer

COPYRIGHT NOTICE

All rights reserved. No part of this book may be reproduced or transmitted in any form or by any means, electronic or mechanical, including photocopying, recording, or by any information storage and retrieval system, without written permission from FingerTec Worldwide Sdn Bhd. Every precaution has been made to supply complete and accurate information. Information in this document is subject to change without prior notice.

DISCLAIMER

No person should rely on the contents of this publication without first obtaining advice from a qualified professional person. The company expressly disclaims all and any liability and responsibility to any terminal or user of this book, in respect of anything, and of the consequences of anything, done by any such person in reliance, whether wholly or partially, upon the whole or any part of the contents of this book.

FINGERTEC WORLDWIDE SDN BHD

